

Distributed by:



[www.Jameco.com](http://www.Jameco.com) ♦ 1-800-831-4242

The content and copyrights of the attached material are the property of its owner.

# Ledtech SINGLE DIGIT DISPLAY

## 0.56" SINGLE DIGIT DISPLAY Electrical/Optical Characteristics at T<sub>A</sub>=25°C & I<sub>F</sub>=20mA

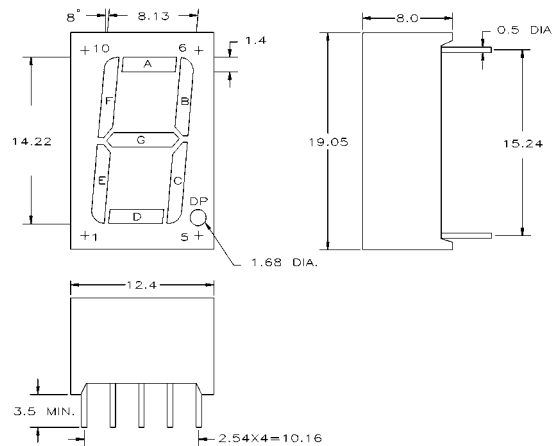
CHIP COLOR	0.56 inch SINGLE DIGIT		0.56 inch SINGLE DIGIT DIAMOND SEGMENT		λ p (nm)	V <sub>F</sub> (V)	I <sub>V</sub> (mcd)	
	COMMON ANODE	COMMON CATHODE	COMMON ANODE	COMMON CATHODE			TYP.	TYP.
GREEN	LA5621-11	LC5621-11	LA5621-S2	LC5621-S2	572	2.1	3.9	6.5
YELLOW	LA5631-11	LC5631-11	LA5631-S2	LC5631-S2	589	2.1	3.1	5.2
ORANGE	LA5641-11	LC5641-11	LA5641-S2	LC5641-S2	630	2.1	4.5	7.4
ORANGE	LA5641R-11	LC5641R-11	LA5641R-S2	LC5641R-S2	630	2.1	4.5	7.4
RED	LA5671-11-M1	LC5671-11-M1	LA5671-S2-M1	LC5671-S2-M1	660	1.7	17.4	29.0
RED	LA5651-11	LC5651-11	LA5651-S2	LC5651-S2	700	2.1	1.1	1.8

**LA56X1-11**  
COMMON ANODE  
PIN NO.

NO.	FUNCTION
1. CATHODE	E
2. CATHODE	D
3. COMMON ANODE	
4. CATHODE	C
5. CATHODE	DP
6. CATHODE	B
7. CATHODE	A
8. COMMON ANODE	
9. CATHODE	F
10. CATHODE	G

**LC56X1-11**  
COMMON CATHODE  
PIN NO.

NO.	FUNCTION
1. ANODE	E
2. ANODE	D
3. COMMON CATHODE	
4. ANODE	C
5. ANODE	DP
6. ANODE	B
7. ANODE	A
8. COMMON CATHODE	
9. ANODE	F
10. ANODE	G

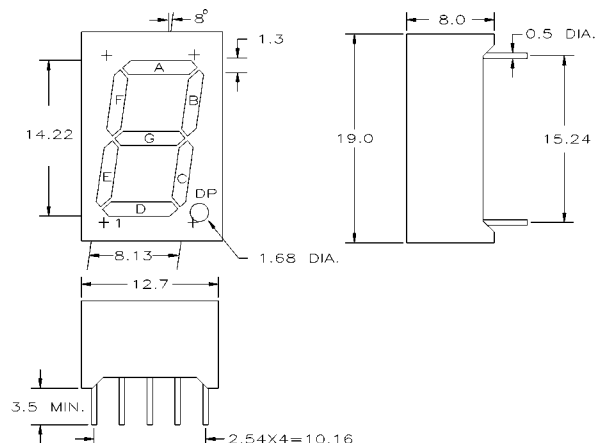


**LA56X1-S2**  
COMMON ANODE  
PIN NO.

NO.	FUNCTION
1. CATHODE	E
2. CATHODE	D
3. COMMON ANODE	
4. CATHODE	C
5. CATHODE	DP
6. CATHODE	B
7. CATHODE	A
8. COMMON ANODE	
9. CATHODE	F
10. CATHODE	G

**LC56X1-S2**  
COMMON CATHODE  
PIN NO.

NO.	FUNCTION
1. ANODE	E
2. ANODE	D
3. COMMON CATHODE	
4. ANODE	C
5. ANODE	DP
6. ANODE	B
7. ANODE	A
8. COMMON CATHODE	
9. ANODE	F
10. ANODE	G



NOTES : 1.ALL DIMENSIONS ARE IN mm, TOLERANCE IS ±0.25mm (0.01") UNLESS OTHERWISE NOTED.  
2.THE SLOPE ANGLE OF ANY PIN MAY BE ±5° MAX.