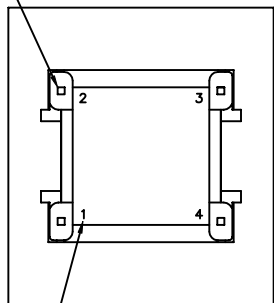


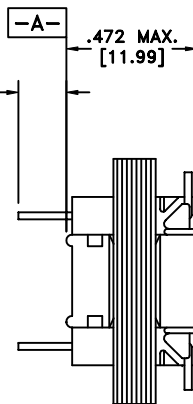
PART MUST INSERT FULLY TO SURFACE A IN RECOMMENDED GRID

.025 SQ.(4)
[.64]

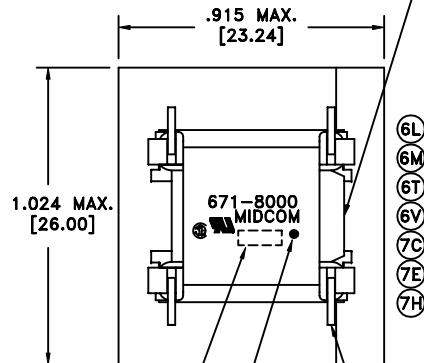
.110/.140
[2.79/3.56]



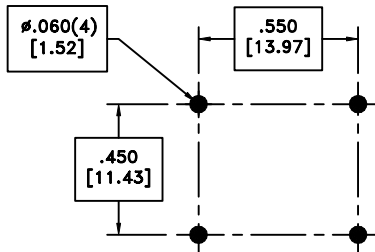
TERM. NO.'s FOR REF. ONLY



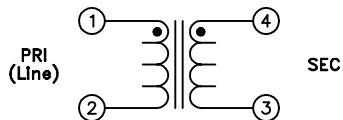
TAB LOCATES TERM. #1-2 SIDE



LOT CODE & DATE CODE
DOT LOCATES TERM. #1 * (7H) TERM. #1



RECOMMENDED
P.C. PATTERN, COMPONENT SIDE



ELECTRICAL SPECIFICATIONS @ 25°C unless otherwise noted:

- (6J) IMPEDANCE: Designed to reflect 600 ohms on the PRI with 600 ohm load on SEC.
- (6J) LONGITUDINAL BALANCE: 60dB min., 200 - 1000Hz; 40dB min., 1000 - 4000Hz, per FCC part 68.310. 58dB min., greater than 63dB typ., 200 - 1000Hz; 53dB min., greater than 58dB typ., 1000 - 3000Hz; per IEEE-455, 1985/BELLCORE TR-TSY-000057, Sect. 6.5.
- D.C. RESISTANCE (@20°C):
PRI, 25.1 ohms ±10%.
SEC, 20.3 ohms ±10%.
- FREQUENCY RESPONSE: ±0.5dB, 200Hz - 20kHz.
- INSERTION LOSS: 0.75 ±0.25dB, 20°C.
- DIELECTRIC RATING: 1000VAC, 1 minute tested by applying 1250VAC for 1 second between PRI-SEC. Meets or exceeds requirements of: CAN/CSA-C22.2 No.225 (M90); DOC's CS-03 (Issue 7); UL's UL1459, 2nd ED. (1992); and FCC's Part 68(58 FR 44907, Aug. 25, 1993).
- (6P)(6R)(6V)(6X)(6Y)
- D.C. CURRENT: None.
- (6J) INDUCTANCE: 1.5H min., 200Hz, 1.0V, Lp (2.5H typical).
- (6J) RETURN LOSS: 15dB min., 200 - 500Hz (20dB typical).
20dB min., 500 - 4000Hz (23dB typical).
- TERNS RATIO: (PRI):(SEC) = 1:1, ±2%.

(6R)

AGENCY NUMBER	
UL	E99406
CSA	LR61218

Midcom, Inc.
Watertown, SD USA
Toll Free: 800-643-2661
Fax: 605-886-4486

Unless otherwise specified:
Tolerances: Fractions: ±1/64
Angles: ±1° Decimals: ±.005 [.13]

Midcom

DRAWING TITLE
TRANSFORMER

DRAWING NO.
671-8000

REV.
7H
1/02

REVISIONS: SEE SHEET 1

SCALE ---

SHEET 2 OF 5

This drawing is dual dimensioned.
Dimensions in brackets are in millimeters.

DWG # 671-8000